



WELBILT[®]

Bringing innovation to the table

Parts Manual

For more Parts Information:

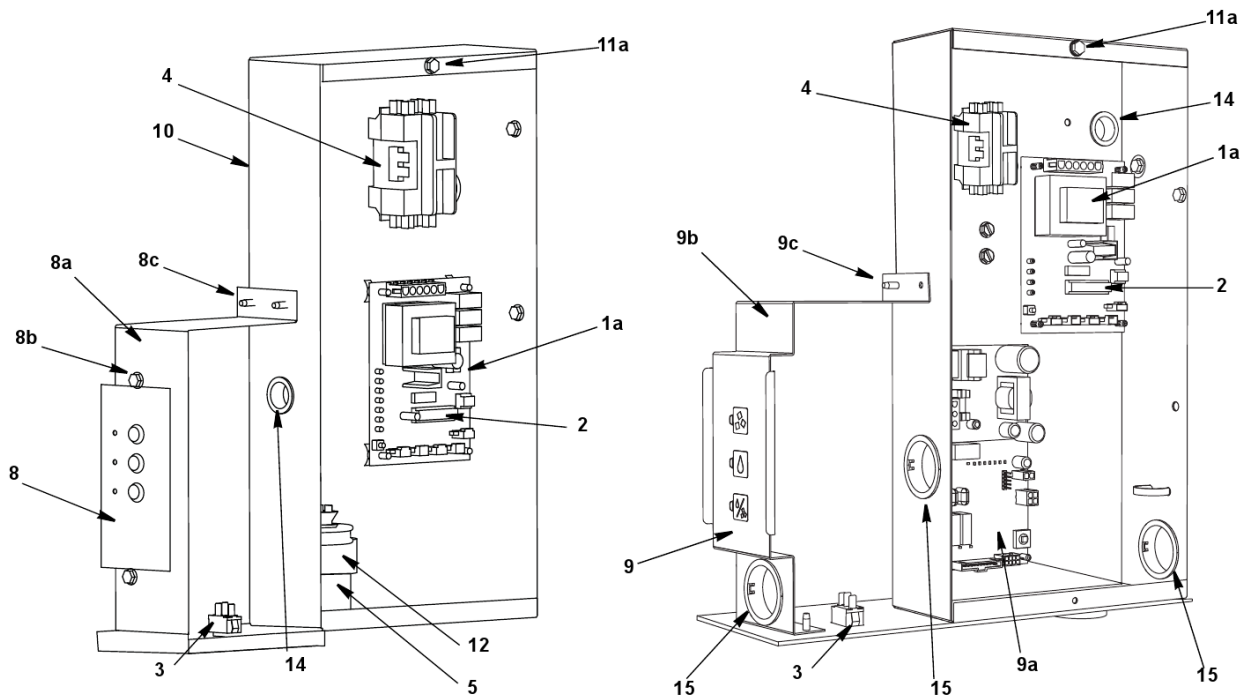
<https://manitowocfsg.sysonline.com/Default.aspx>

TABLE OF CONTENTS

| | |
|---|----|
| CNF0201, CNF0202 | |
| CNF0201 CNF0202 - Control Box..... | 1 |
| CNF0201 CNF0202 - Evaporator Assembly..... | 3 |
| CNF0201 CNF0202 - Refrigeration Compartment - View 1..... | 6 |
| CNF0201 CNF0202 - Refrigeration Compartment - View 2..... | 9 |
| CNF0201 CNF0202 - Air-cooled..... | 12 |
| CNF0201 CNF0202 - Panels..... | 14 |

CNF0201, CNF0202

CNF0201 CNF0202 - Control Box



CNF0201 CNF0202 - Control Box

CNF0201 CNF0202 - Control Box



CNF0201, CNF0202

CNF0201 CNF0202 - Control Box

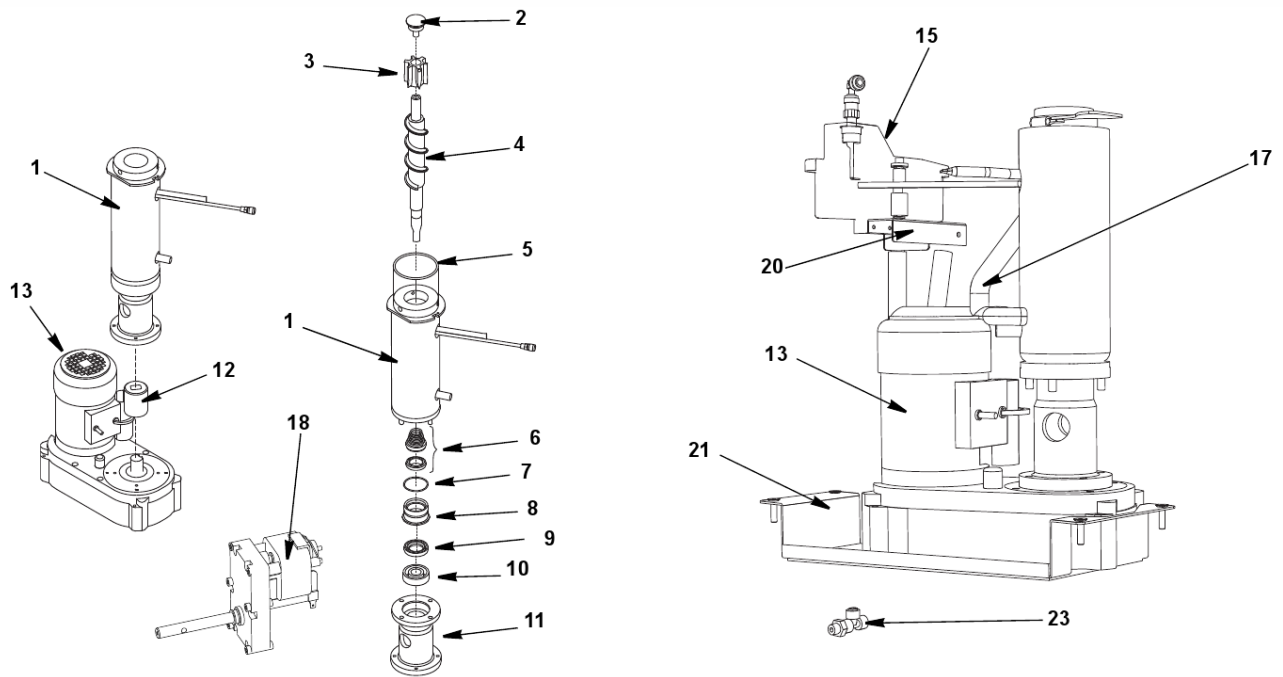
| # | PART # | DESCRIPTION | QTY | Note |
|-----|-----------|---------------------------------------|-----|------|
| 1 | 000001238 | Control Board | | |
| 1a | 4302253 | Control Board Mounting Supports | | |
| 2 | 2511493 | Fuse - 10A | | |
| 3 | 2007939 | Toggle Switch | | |
| 3a | 2009873 | Toggle Switch Wiring Harness | | |
| 4 | | Contactor | | |
| 4a | 2006589 | Contactor - 115V/60 Hz/1 Ph | | |
| 4b | 2006599 | Contactor - 230V/50-60 Hz/1 Ph | | |
| 5 | | Gearmotor Run Capacitor | | |
| 5a | 000007825 | Gearmotor Capacitor - 115V/60 Hz/1 Ph | | |
| 5b | 000007824 | Gearmotor Capacitor - 230V/50 Hz/1 Ph | | |
| 7 | 000015093 | Wiring Harness - Power | | |
| 8 | 2009523 | Selector Switch | | [1] |
| 8a | 6067221 | Bracket - Selector Switch | | [1] |
| 8b | 5012319 | Screw - #12-16 x 0.75" | | |
| 8c | 5202069 | Screw - #10-24 x 0.5" HEX | | |
| 8d | 2009723 | Wiring Harness - Selector Switch | | [2] |
| 9 | 000010710 | Touch Pad Selector | | [3] |
| 9a | 000010742 | Control Board - Touch Pad | | [3] |
| 9b | 000010745 | Bracket - Touch Pad | | [4] |
| 9c | 5202069 | Screw - #10-24 x 0.5" HEX | | |
| 9d | 000010750 | Wiring Harness - Touch Pad | | [4] |
| 10 | 000008461 | Control Box | | |
| 11 | 000000734 | Control Box Cover | | |
| 11a | 5202069 | Screw - #10-24 x 0.5" HEX | | |
| 12 | 6024953 | Capacitor Mounting Strap | | |
| 13 | 5202109 | Screw - #10-24 x 0.375" | | |
| 14 | 2501409 | Bushing - 0.875" | | |
| 15 | 2500139 | Bushing - 1.5" | | |
| 16 | 000015146 | Wiring Harness - 115V | | |
| 17 | 000015147 | Wiring Harness - 230V | | |
| 18 | 000014270 | EMC Filter | | [5] |
| 18a | 000015148 | Wiring Harness - EMC | | [5] |

PART NOTES:

- [1] - Manufactured Before 01/2013
- [2] - ManufacturedBefore 01/2013
- [3] - Manufactured After 01/2013
- [4] - ManufacturedAfter 01/2013
- [5] - 50 Hz Only

CNF0201, CNF0202

CNF0201 CNF0202 - Evaporator Assembly



CNF0201, CNF0202

CNF0201 CNF0202 - Evaporator Assembly

| # | PART # | DESCRIPTION | QTY | Note |
|-----|-----------|--|-----|------|
| 1 | | Evaporator Assembly | | |
| 1a | 000008357 | Entire Evaporator Assembly | | |
| 1b | 000012547 | Evaporator Rebuild Kit - RNS12-20/CNF201-202/RNS0300 | | |
| 2 | 000008939 | Ice Wiper Stud | | |
| 3 | 000009156 | Extruder with Bearings Assembly | | |
| 4 | 000009157 | Auger | | |
| 4a | 000009158 | Auger and Extruder with Bearings | | |
| 5 | 000008940 | O-ring Gasket | | |
| 6 | 000006426 | Water Seal | | |
| 7 | 000005583 | Lower O-ring | | |
| 8 | 000005782 | Water Seal Retainer | | |
| 9 | 000008938 | Seal Ring | | |
| 10 | 000008898 | Bearing | | |
| 11 | 000008897 | Evaporator Foundation | | |
| 11a | 000012459 | Bolt - Evaporator Foundation - M6 x 25mm | | |
| 12 | 000008967 | Joint | | |
| 13 | | Gear Box/Motor Assembly | | |
| 13a | 000011126 | Gearmotor Assembly - 115V/60 Hz/1 Ph | | |
| 13b | 000011800 | Gearmotor Assembly - 208-230V/50-60 Hz/1 Ph | | |
| 13c | 000008631 | Wiring Harness - Gearmotor | | |
| 14 | | Gearmotor Capacitors | | |
| 14a | 000007825 | Gearmotor Capacitor - 115V/60 Hz/1 Ph | | |
| 14b | 000007824 | Gearmotor Capacitor - 230V/50 Hz/1 Ph | | |
| 15 | 000006516 | Float Chamber Assembly | | [1] |
| 15a | 2008633 | Float Switch Only | | |
| 15b | 000006515 | Float Chamber | | |
| 16 | | Water Dispense Valve | | |
| 16a | 2009093 | Water Dispense Valve - 115V/60 Hz/1 Ph | | |
| 16b | 2009103 | Water Dispense Valve - 230V/50 Hz/1 Ph | | |
| 16c | 5002943 | Elbow - 0.375" x 0.25" | | |
| 16d | 000001180 | Speed Fitting - 0.25" x 0.25" | | |
| 16e | 000000469 | Fitting | | |
| 17 | 000008205 | Molded Vinyl Tube | | |
| 18 | | Dispenser Motor | | |
| 18a | 000014075 | Dispense Motor - 115V | | |
| 19 | | Dispenser Motor Mounting | | |
| 19a | 000007423 | Bracket- Dispenser Motor Mounting | | |
| 19b | 5003383 | Screw- Dispenser Motor Mounting | | |
| 19c | 5573209 | Star Washer- Dispenser Motor Mounting | | |
| 20 | 6066101 | Float Valve Bracket | | |
| 20a | 5202069 | Screw - #10-24 x 0.5" HEX | | |
| 20b | 5650729 | Compression Nut | | |
| 21 | | Gearmotor Mounting Base | | |
| 21a | 000014733 | Gearmotor Mounting Base - CNF201 | | |
| 21b | 000014820 | Support Bracket - Gearmotor Mounting Base - CNF201 | | |
| 21b | 000008194 | Gearmotor Mounting Base - CNF202 | | |

CNF0201 CNF0202 - Evaporator Assembly

CNF0201, CNF0202

CNF0201 CNF0202 - Evaporator Assembly

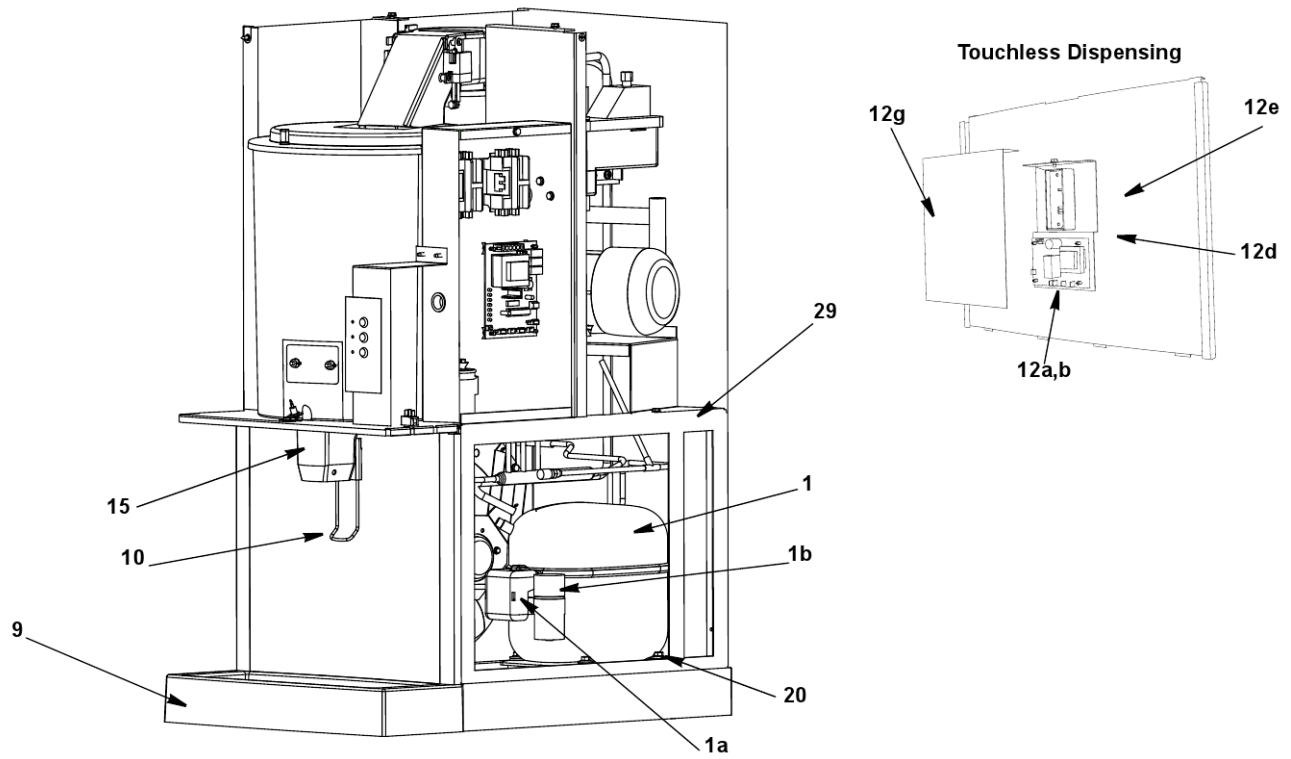
| # | PART # | DESCRIPTION | QTY | Note |
|-----|---------|-------------------------------------|-----|------|
| 22 | | Evaporator Mounting to Bracket | | |
| 22a | 6069201 | Bracket- Mounting | | |
| 22b | 5005423 | Bolt- Mounting | | |
| 22c | 5573059 | Flatwasher- Mounting | | |
| 22d | 5573139 | Lockwasher- Mounting | | |
| 23 | 2009483 | Swivel Tee Male | | |
| 24 | | Evaporator Mounting to Gear Motor | | |
| 24a | 5005653 | Bolt- Mounting | | |
| 24b | 5005663 | Flatwasher- Mounting | | |
| 24c | 5005673 | Lockwasher- Mounting | | |
| 25d | 5202069 | Screw - #10-24 x 0.5" HEX- Mounting | | |
| 26 | 5650649 | Spray Bar Clamp | | |

PART NOTES:

[1] - includes float, switch, cover & housing

CNF0201, CNF0202

CNF0201 CNF0202 - Refrigeration Compartment - View 1



CNF0201, CNF0202

CNF0201 CNF0202 - Refrigeration Compartment - View 1

| # | PART # | DESCRIPTION | QTY | Note |
|-----|-----------|---|-----|------|
| 1 | 000014661 | Compressor - Embraco - 115V/60 Hz/1 Ph | | |
| 1a | 040005645 | Relay | | |
| 1b | 040005642 | Start Capacitor | | |
| 1c | 040005644 | Overload | | |
| 1d | 000014679 | Compressor - Embraco - 230V/60 Hz/1 Ph | | |
| 1e | 040005644 | Overload | | |
| 1f | 040005642 | Start Capacitor | | |
| 1g | 000014678 | Compressor - Embraco - 230V/50 Hz/1 Ph | | |
| 2 | | Water Dump Valve | | |
| 2a | 000007429 | Water Dump Valve - 115V | | |
| 2b | 000007428 | Water Dump Valve - 208-240V | | |
| 3 | 000014760 | Expansion Valve | | |
| 4 | 000015090 | Insulation Boot - Expansion Valve | | |
| 5 | 000013579 | High Pressure Cut-out (Auto-reset) | | |
| 6 | 000013573 | Low Pressure Cut-out | | |
| 7 | 8310233 | Manifold Strainer | | |
| 7a | 000015091 | Bracket - Manifold Strainer | | |
| 8 | 8930259 | Drier | | |
| 9 | 4013423 | Drain Tray | | |
| 9a | 3006573 | Grill/Wire Drain Tray Rack | | |
| 10 | 4014783 | Dispenser Arm | | |
| 11 | 6068631 | Lever Bracket | | |
| 12 | | Touch Less Dispensing | | |
| 12a | 000000308 | Control Board - 115V/60 Hz/1 Ph | | |
| 12b | 000000186 | Control Board - 230V/50 Hz/1 Ph | | |
| 12c | 000000187 | Control Board Support | | |
| 12d | 000008173 | Sensor Block Assembly | | |
| 12e | 000000185 | Bracket | | |
| 12f | 000000332 | Screw | | |
| 12g | 000000580 | Mylar Shield | | |
| 13 | 000000310 | Wiring Harness - Touchless Dispensing | | |
| 14 | 2009463 | Blue LED Light | | |
| 15 | 000002247 | Ice Dispense Chute | | |
| 16 | 000010752 | Dispense Switch | | |
| 17 | 5000673 | Coupling Male Reducing - 0.375" x 0.25" | | |
| 18 | 9000853 | Water Dispense Tubing - 21.5" | | |
| 19 | 8373253 | Access Valve | | |
| 20 | | Compressor Mounting | | |
| 20a | 5004203 | Compressor Rubber Grommet | | |
| 20b | 5000939 | ScrewMounting - | | |
| 20c | 5004213 | Compressor SleeveMounting - | | |
| 20d | 5000979 | Washer - Package of 4Mounting - | | |
| 20e | 2512043 | Strain Relief | | |
| 21 | 8706093 | Female Wing Adapter - 0.375" | | [1] |
| 21a | 5202069 | Screw - #10-24 x 0.5" HEX | | |
| 22 | 2009483 | Swivel Tee Male | | |

CNF0201 CNF0202 - Refrigeration Compartment - View 1

CNF0201, CNF0202

CNF0201 CNF0202 - Refrigeration Compartment - View 1

| # | PART # | DESCRIPTION | QTY | Note |
|-----|-----------|--------------------------------|-----|------|
| 23 | 4420291 | Tygon Tube - 0.25" OD | | |
| 24 | 6039081 | Water Inlet Tubing Insulation | | |
| 25 | 2500139 | Bushing - 1.5" | | |
| 26 | 2512043 | Strain Relief | | |
| 26a | 000000081 | Power Cord - 115V/60 Hz | | |
| 26b | 000000082 | Power Cord - 230V/50 Hz | | |
| 27 | 6066241 | Water Dump Valve Bracket | | |
| 27a | 5202329 | Screw - #10-24 x 0.25" PHIL | | |
| 28 | | Drain Tray | | |
| 28a | 4015853 | Vinyl Tube | | |
| 28b | 5650663 | Snap Clamp - 1.218" x 1.4" | | |
| 29 | | Support Bracket | | |
| 29a | 000006716 | Support Bracket - RNS12/CNF201 | | |
| 29b | 000014315 | Support Bracket - RNS20/CNF202 | | |
| 30 | | Suction Line | | |
| 30a | 000010517 | Suction Line - RNS12/CNF201 | | |
| 30b | 000010518 | Suction Line - RNS20/CNF202 | | |
| 31 | | Liquid Line | | |
| 31a | 000008458 | Liquid Line - RNS12/CNF201 | | |
| 31b | 000008196 | Liquid Line - RNS20/CNF202 | | |
| 32 | 000015235 | Insulation - 0.25" x 7.5" | | |

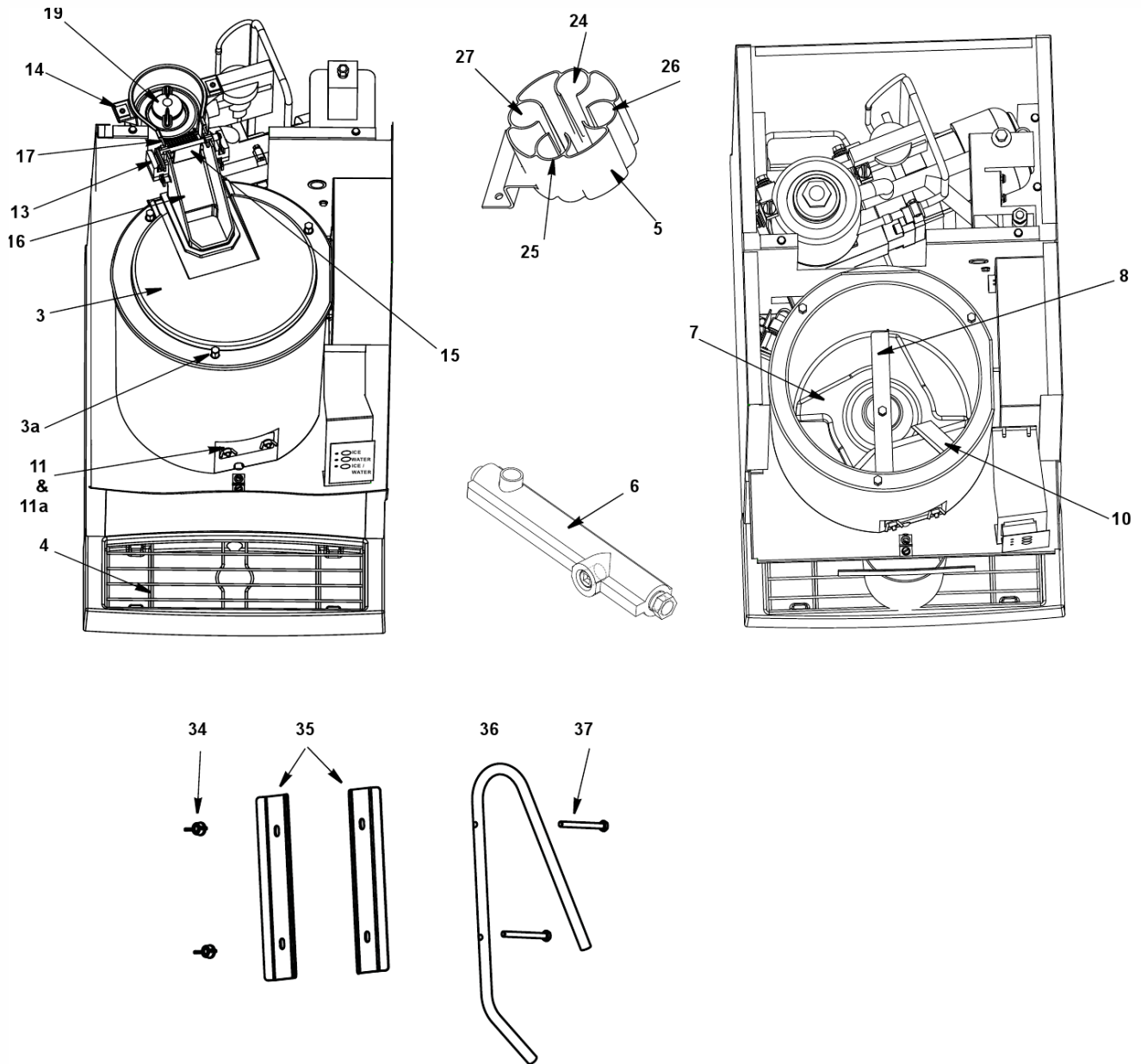
PART NOTES:

[1] - Brass

If replacing a nylon fitting you must order 1360961

CNF0201, CNF0202

CNF0201 CNF0202 - Refrigeration Compartment - View 2



CNF0201 CNF0202 - Refrigeration Compartment - View 2

CNF0201, CNF0202

CNF0201 CNF0202 - Refrigeration Compartment - View 2

| # | PART # | DESCRIPTION | QTY | Note |
|-----|-----------|--|-----|------|
| 1 | | Bin Liner | | |
| 1a | 4013313 | Bin Liner - RNS12/CNF201 | | |
| 1b | 4015023 | Bin Liner - RNS20/CNF202 | | |
| 2 | 5005623 | Bottom Adapter | | [1] |
| 3 | 4014453 | Cover | | |
| 3a | 5305123 | Thumbscrew SS - #8-32 x 0.44" | | |
| 4 | 3006573 | Grill/Wire Drain Tray Rack | | |
| 5 | 4015073 | Four into One Drain | | |
| 5a | 000014921 | Bracket - Four into One Drain | | |
| 5b | 5202069 | Screw - #10-24 x 0.5" HEX | | |
| 6 | 6072021 | Interchangeable Drain Tube | | |
| 6a | 4015603 | Insulation - Drain Tube | | |
| 7 | 000002201 | Dispense Wheel | | |
| 7a | 000002245 | Thumbscrew | | |
| 8a | 000002203 | Agitator Bar | | [2] |
| 8b | 000014804 | Agitator Bar | | [3] |
| 8c | 000000325 | Washer | | |
| 8d | 000002243 | O-ring | | |
| 9 | 5005823 | Drive Pin | | |
| 10 | 000012605 | Ice Deflector | | |
| 11 | 6069031 | Support Plate | | |
| 11a | 000014788 | Bracket - Water Hose (mounts on Support Plate) | | |
| 11b | 5005503 | Wingnut | | |
| 12 | 2009793 | Hall Effect Switch with Wiring | | |
| 13 | 2009803 | Hall Effect Switch Housing | | |
| 13a | 5121629 | Screw | | |
| 14 | 5650853 | Receptacle | | |
| 14a | 5000453 | Wing-head Mounting Stud | | |
| 15 | 4014443 | Damper Door Nugget | | |
| 16 | 4013363 | Ice Chute | | |
| 17 | 4014883 | Strainer Ramp | | |
| 18 | 4013463 | Chute Cover - sits on receptacle | | |
| 19 | 000002062 | Ice Wiper - Nugget | | |
| 21 | | Dispenser Motor | | |
| 21a | 000014075 | Dispense Motor - 115V | | |
| 21b | 000002245 | Thumbscrew | | |
| 21c | 000000325 | Washer | | |
| 22 | | Secure Ice Chute to Evaporator | | |
| 22a | 000000464 | Clamp Assembly | | |
| 22b | 000005183 | Clamp Seal | | |
| 23 | | Secure Dispenser Motor to Bin | | |
| 23a | 5573209 | Star Washer | | |
| 23b | 5202069 | Screw - #10-24 x 0.5" HEX | | |
| | | CNF201 Tubing | | [4] |
| 24 | 4420383 | Clear Tubing - 0.625" ID | | |
| 25 | 4420383 | Clear Tubing - 0.625" ID | | |

CNF0201 CNF0202 - Refrigeration Compartment - View 2

CNF0201, CNF0202

CNF0201 CNF0202 - Refrigeration Compartment - View 2

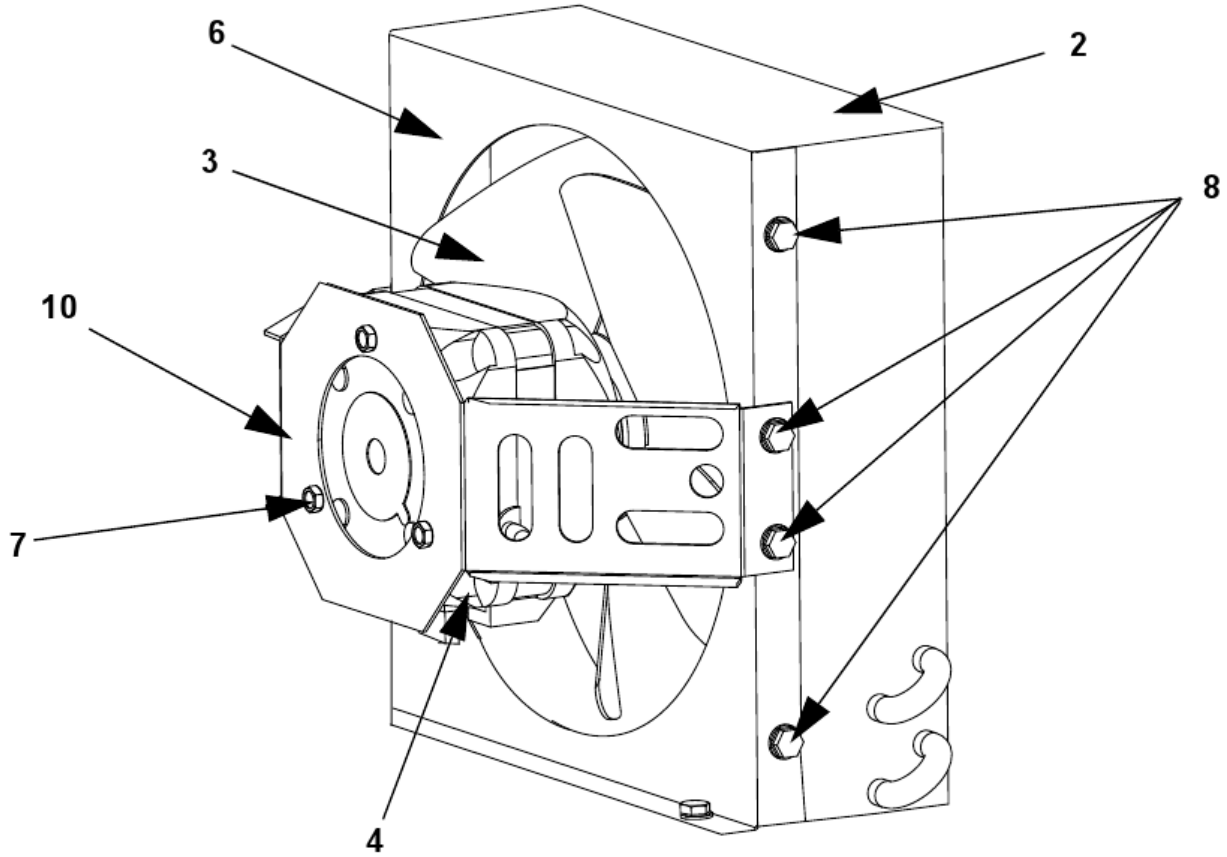
| # | PART # | DESCRIPTION | QTY | Note |
|-------|-----------|--|-----|------|
| 26 | 4015763 | Float Overflow | | |
| 27 | 4420383 | Clear Tubing - 0.625" ID | | |
| 28 | 5650609 | Snap Clamp - 1.0" ID | | |
| | | CNF202 Tubing | | [4] |
| 29 | 4420383 | Clear Tubing - 0.625" ID | | |
| 30 | 4420383 | Clear Tubing - 0.625" ID | | |
| 31 | 4015943 | Float Overflow | | |
| 32 | 4420383 | Clear Tubing - 0.625" ID | | |
| 33 | 5650609 | Snap Clamp - 1.0" ID | | |
| 34-38 | | CNF202 Model Only | | |
| 34 | 5005503 | Wingnut | | [5] |
| 35 | 000012602 | Ice Breaker Mounting Bracket | | [6] |
| 36 | 000002197 | Ice Breaker | | [5] |
| 37 | 000002244 | Mounting Bolts | | [5] |
| 38 | | Upright Agitator Bar - CNF202 | | |
| 38a | 000002776 | Upright Agitator Bar - 115V/60 Hz/1 Ph | | [5] |
| 38b | 000002777 | Upright Agitator Bar - 230V/60 Hz/1 Ph | | [5] |
| 39 | 000012248 | Upright Agitator Bar - RNS12/CNF201 | | |
| 40 | 000015155 | Black Snap Clamp - 0.7" x 0.8" | | |

PART NOTES:

- [1] - 0.5"N.P.T. x0.5" Barbed
- [2] - CNF0201 CNF0202 Models
- [3] - CNF0201 Models Only
- [4] - (four in one drain)
- [5] - RNS20 Model Only
- [6] - (1 piece)

CNF0201, CNF0202

CNF0201 CNF0202 - Air-cooled



CNF0201, CNF0202

CNF0201 CNF0202 - Air-cooled

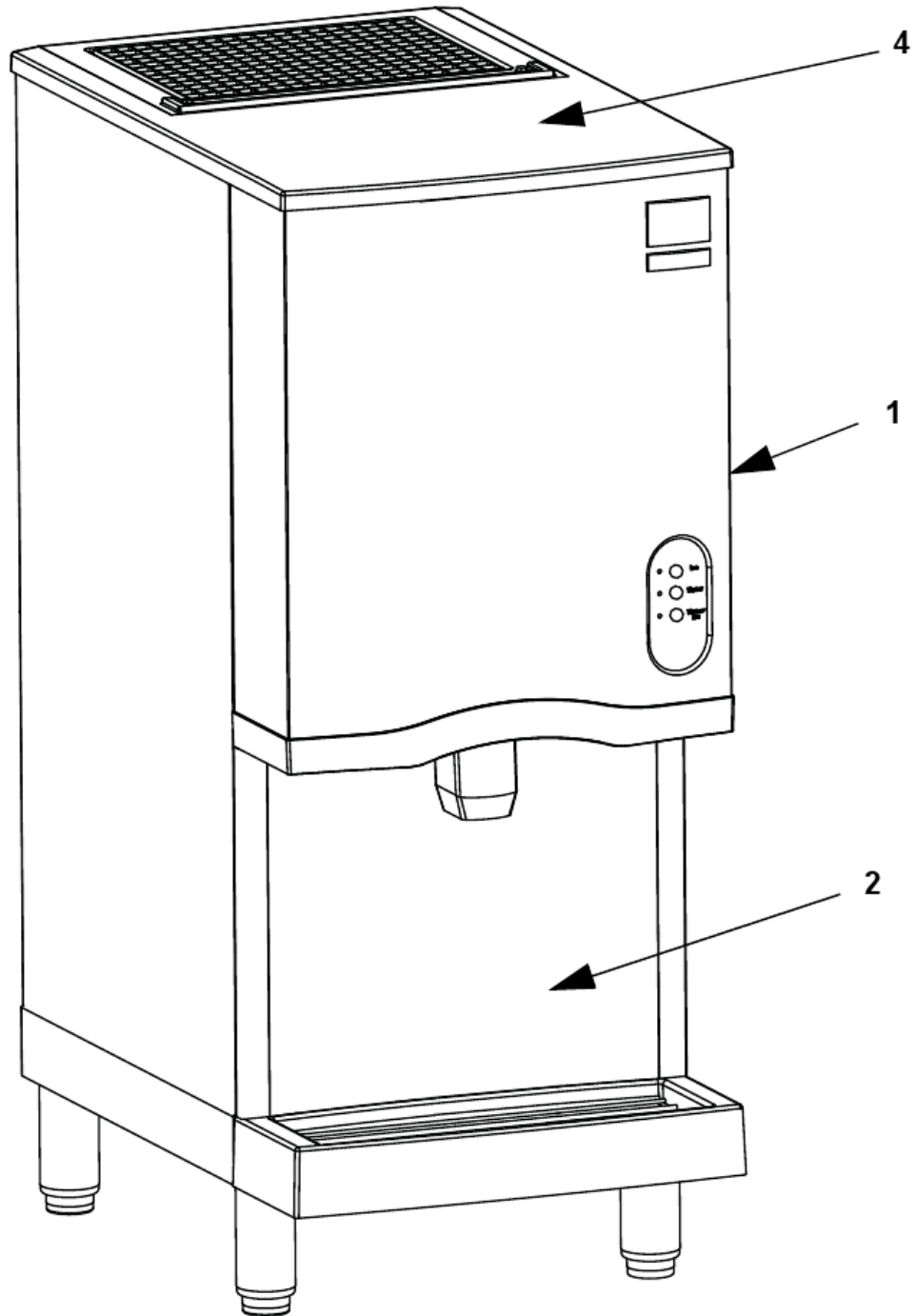
| # | PART # | DESCRIPTION | QTY | Note |
|-----|-----------|------------------------------------|-----|------|
| 1 | | Compressor | | [1] |
| 2 | 000014691 | Air Condenser | | |
| 3 | 2416173 | Fan Blade | | |
| 4 | | Fan Motor | | |
| 4a | 000014739 | Fan Motor - 115V/60 Hz/1 Ph | | |
| 4b | 000014740 | Fan Motor - 208-230V/50-60 Hz | | |
| 5 | 000013508 | Fan Cycling Control - 200-250 psig | | |
| 6 | 000014695 | Fan Shroud | | |
| 6a | 000014995 | LH Bracket - Fan Shroud | | |
| 6b | 000014996 | RH Bracket - Fan Shroud | | |
| 7 | 5005513 | Nut - M4 x 0.7 mm | | |
| 8 | 5202069 | Screw - #10-24 x 0.5" HEX | | |
| 9 | 5475079 | Speed Nut - 0.25" x 20 | | |
| 10 | 000000409 | Fan Motor Bracket | | |
| 10a | 5429559 | Rubber Wellnut | | |
| 11 | 000015162 | Air Filter | | |

PART NOTES:

[1] - Refer to COMMON PARTS PAGE

CNF0201, CNF0202

CNF0201 CNF0202 - Panels



CNF0201, CNF0202

CNF0201 CNF0202 - Panels

| # | PART # | DESCRIPTION | QTY | Note |
|-----|-----------|--|-----|------|
| 1 | | Front Panel Assembly | | |
| 1a | 6068241 | Front Panel Assembly - SN12/RNS12/CNF201 | | |
| 1b | 6070801 | Front Panel Assembly - SN20/RNS20/CNF202 | | |
| 1c | 4014703 | Front Panel Top End Cap | | |
| 1d | 4014713 | Front Panel Bottom End Cap | | |
| 1e | 5012349 | Screws | | |
| 2 | 6068481 | Lower Front Panel Lever Activated - | | |
| 2a | | Touchless - Lower Front Panel | | |
| 2b | 00000338 | Touchless - Lower Front Panel Assembly - 115V/60 Hz/1 Ph | | |
| 2c | 00000383 | Touchless - Lower Front Panel Assembly - 230V/60 Hz/1 Ph | | |
| 2d | 00000645 | Front Panel Label | | |
| 3 | 000015162 | Air Filter | | |
| 4 | 4014463 | Top Cover | | |
| 5 | | Back Panel | | |
| 5a | 6068151 | Back Panel - 35" | | |
| 5b | 6071361 | Back Panel - 42" | | |
| 6 | | CNF201 Side Panels | | |
| 6a | 000015286 | Right Side Panel - Louvered - 35" | | |
| 6b | 000015285 | Left Side Panel - Non-Louvered - 35" | | |
| 7 | | CNF202 Side Panels | | |
| 7a | 000012461 | Right Side Panel- Louvered - 42" | | |
| 7b | 000012460 | Left Side Panel- Non-Louvered - 42" | | |
| 8 | 5202069 | Screw - #10-24 x 0.5" HEX | | [1] |
| 9 | 00000458 | Thumbscrew | | [2] |
| 10 | 5005573 | Side Panel Screws | | |
| 11 | 00000741 | Side Panel Nuts | | |
| 12 | 5012349 | Screws | | [3] |
| 13 | 5202099 | Screw - #10-24 x 0.5" PHIL | | |
| 14 | | Cartoning | | |
| 14a | 000002781 | Cartoning - SN12/RNS12/CNF201 | | |
| 14b | 000011198 | Cartoning - SN20/RNS20/CNF202 | | |

PART NOTES:

- [1] - mounts back panel
- [2] - Top Cover
- [3] - inside